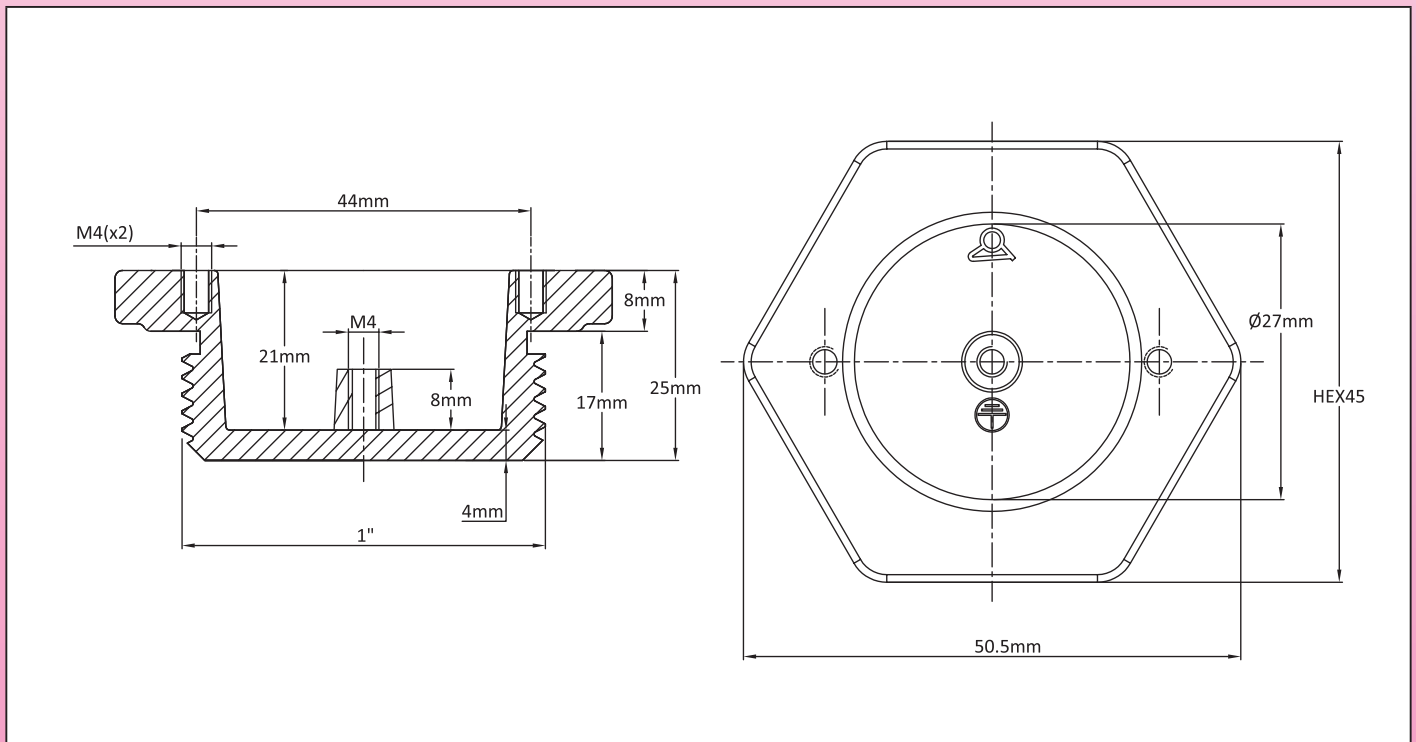


## Brass fittings, single thread, with center grounding terminal

Minimum Size	Maximum Size	Material	Type	Model
1"	1"	Brass	Single thread, central ground	<b>66RF</b>




Compatible accessories	
<input checked="" type="checkbox"/> 66JP	<input checked="" type="checkbox"/> 66NL
<input checked="" type="checkbox"/> 66JF	<input checked="" type="checkbox"/> 66XF
Compatible enclosures	
<input checked="" type="checkbox"/> Y301	



### Main reference

Dimension	Reference
1"	66RFA1T000000000

### Links

	Page (.pdf)
	Drawing 2D (.dwg)
	Drawing 3D (.stp)

Red dimensions inside rectangular frames are used for assembly on enclosures or on fittings.

